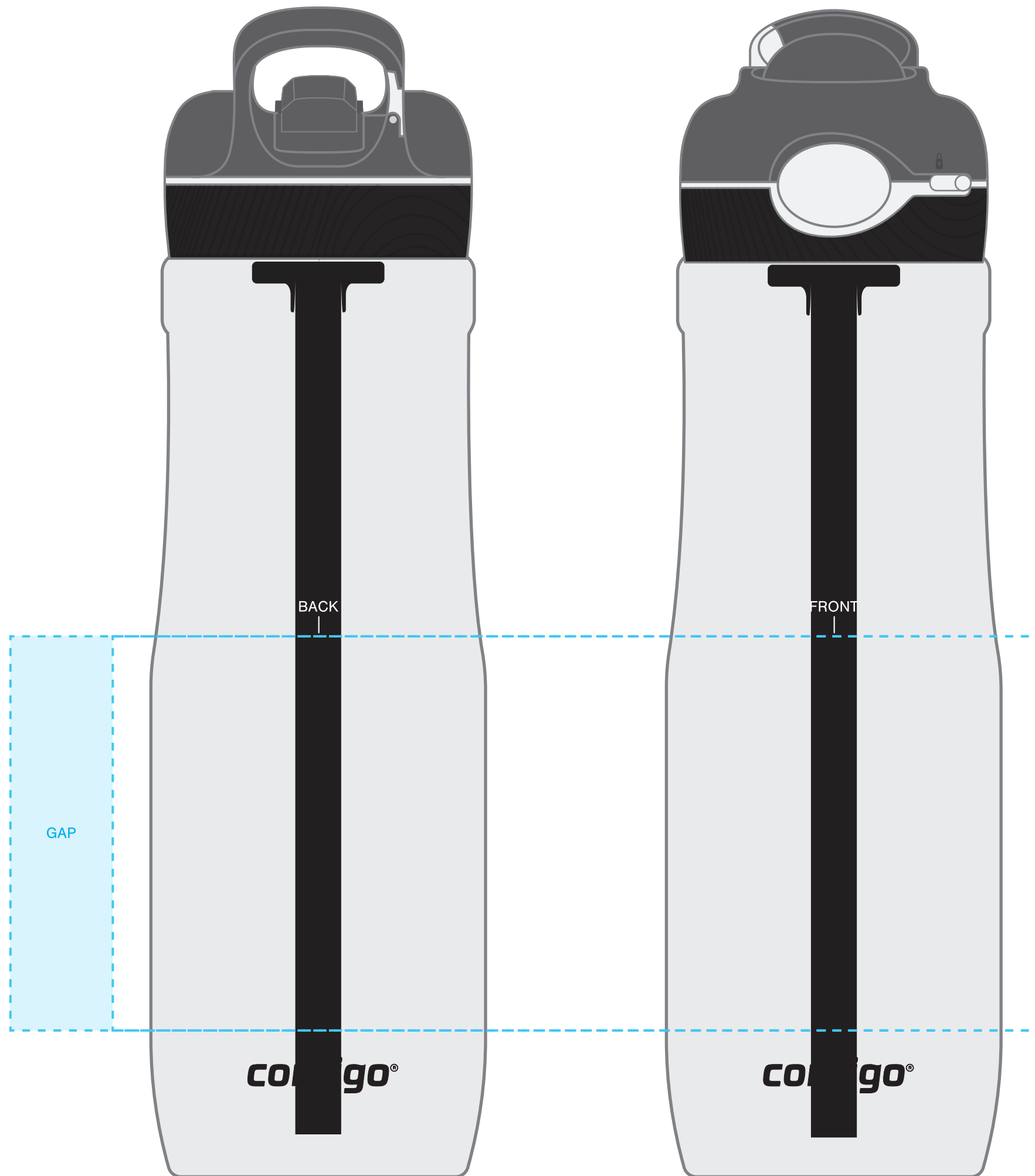


# SCREENPRINT

**INSTRUCTIONS:**

1. OPEN TEMPLATE IN ADOBE ILLUSTRATOR OR YOUR PREFERRED GRAPHICS EDITOR.
2. PLACE ARTWORK IN DESIGNATED AREA.
3. SUBMIT YOUR FINAL DESIGN TO OUR VIRTUAL TEAM FOR MOCKUPS OR DIRECTLY TO OUR ORDER PROCESSING TEAM FOR PROOFS.

**\*\*CIRCLES/SQUARES WILL WARP ON TAPERED ITEM\*\***



**24 OZ CONTIGO® ASHLAND**

**AVAILABLE IMPRINT AREA** = 3.5" h x 2.75" w x 8.25" wrap  
[9.16" full wrap when printing more than one color]

**NOT A PROOF — FOR CONCEPT PURPOSES ONLY**

DESIGNATE PMS# TO CORRESPONDING COLOR #. USE PMS COLORS AND OUTLINE ANY FONTS BEFORE SUBMITTING WITH YOUR ORDER.